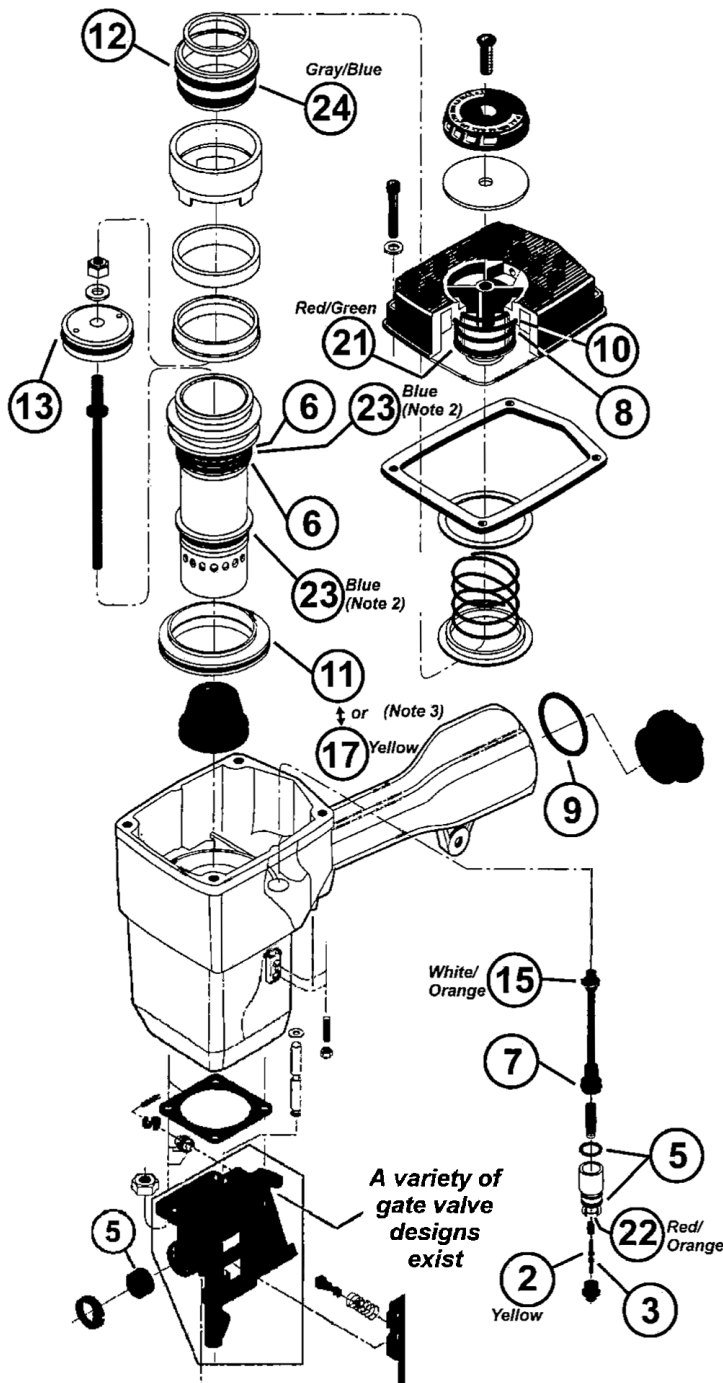


RELIABILITY™

Provin

Contents of O-Ring Kit KT-SE-250

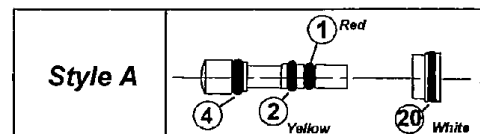
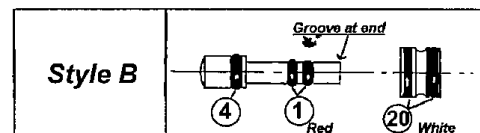
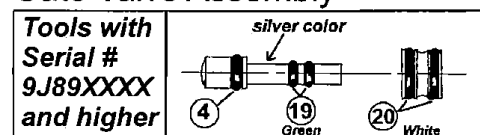


Key Number	Quantity	Performance Provin, Inc.		Equivalent Senco® Part Number
		Part Number	Color Code	
1	2	OR-PP-132	Red	3090503
2	2	OR-PP-134	Yellow	3090505
3	1	OR-PP-134U		LB3507
4	1	OR-PP-138		3092509
5	3	OR-PP-152		3090535
6	2	OR-PP-190		3090568
7	1	OR-PP-346		3091009
8	1	OR-PP-380		3091062
9	1	OR-PP-392		3091071
10	1	OR-PP-410		3091080
11	1	OR-PP-424		3091087
12	1	OR-PP-580		3091553
13	1	OR-PP-776		3093715
14	1	OR-PP-963	Blue / Orange	3090230
15	1	OR-PP-975	White / Orange	3090818
16	1	OR-PP-980	Orange	3091010
17	1	OR-PP-1013	Yellow	3090782
18	2	OR-PP-1027	Blue / Orange	3090518
19	2	OR-PP-1028	Green	3091405
20	2	OR-PP-1034	White	3090318
21	1	OR-PP-556		3091514
22	1	OR-PP-1932	Red / Orange	3090525
23	2	OR-PP-1980	Blue	3091370
24	1	OR-PP-3015	Gray / Blue	3091544

Note 2: Earlier issue tools did not use O-Ring OR-PP-1980 (Key #23). Tools beginning with serial number 9L96XXXX used O-Ring OR-PP-1980 (Key #23) at the lower location on the cylinder sleeve. Tools manufactured after March 1994 also used O-Ring OR-PP-1980 at the higher location on the cylinder sleeve.

Note 3: Tools beginning with serial number 1KXXXXXX and using a composite material cylinder ring must use OR-PP-1013 (key #17 Yellow) O-Ring. Earlier manufactured tools using an aluminum cylinder ring must use OR-PP-424 (key # 11) O-Ring.

Gate Valve Assembly



*Generously grease all O-rings at time of assembly

Note: Read and understand the safety information printed on the reverse side before repairing any tools.
 Nota: Lea y comprende la información de seguridad impresa al reverso antes de reparar cualquier herramienta.

6/27/2005

Exploded View and O-ring List for
 Senco SCN250, SCN250D, SCN250S & SCN65D

VL-SE-36

CAUTION**CAUTION****CAUTION**

ALWAYS WEAR SAFETY GLASSES WITH SIDE SHIELDS WHEN USING PNEUMATICALLY OPERATED FASTENER DRIVING TOOLS

NEVER POINT THE TOOL AT YOURSELF OR ANYONE ELSE

NEVER BYPASS OR REMOVE ANY SAFETY DEVICE

ALWAYS FOLLOW THE ORIGINAL MANUFACTURE'S SAFETY AND SERVICE INSTRUCTION

NEVER ATTEMPT TO SERVICE OR REPAIR A PNEUMATICALLY OPERATED TOOL WITH THE COMPRESSES AIR LINE CONNECTED TO THE TOOL

NEVER LEAVE A PNEUMATICALLY OPERATED TOOL UNATTENDED WITH THE COMPRESSES AIR LINE CONNECTED

ALWAYS FOLLOW THE ORIGINAL TOOLS MANUFACTURE'S DISASSEMBLY, ASSEMBLY, AND TOOL INSPECTION PROCEDURES

PRECAUTION**PRECAUTION****PRECAUTION**

SIEMPRE USE LENTES DE SEGURIDAD CON PROTECTORES LATERALES AL USAR HERRAMIENTAS DE IMPULSO CON SUJETADOR DE OPERACIÓN NEUMÁTICA

NUNCA APUNTE A SI MISMO O A OTRA PERSONA CON LA HERRAMIENTA

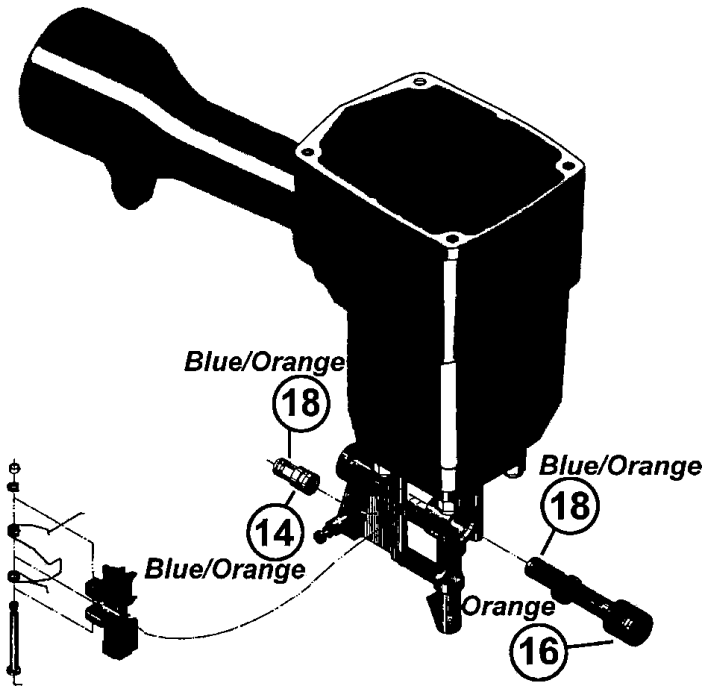
NUNCA EVITE O RETIRE ALGÚN DISPOSITIVO DE SEGURIDAD

SIEMPRE SIGA LAS INSTRUCCIONES DE SEGURIDAD Y SERVICIO DEL FABRICANTE ORIGINAL DE LA HERRAMIENTA

NUNCA INTENTE HACER MANTENIMIENTO O REPARAR UNA HERRAMIENTA DE OPERACIÓN NEUMÁTICA CON LA LINEA DE AIRE COMPRIMIDO CONECTADA A LA HERRAMIENTA

NUNCA DEJE SIN ATENCIÓN UNA HERRAMIENTA DE OPERACIÓN NEUMÁTICA CON LA LINEA DE AIRE COMPRIMIDO CONECTADA

SIEMPRE SIGA LOS PROCEDIMIENTOS DE DESMONTAJE, MONTAJE, E INSPECCIÓN DEL FABRICANTE ORIGINAL DE LA HERRAMIENTA



O-Ring Kit KT-SE-250

For use on the following tool models.
Kit contains all O-Rings in these tools.

SENCO

SCN250
SCN250D
SCN250S
SCN65D



7 12218 00173 0