

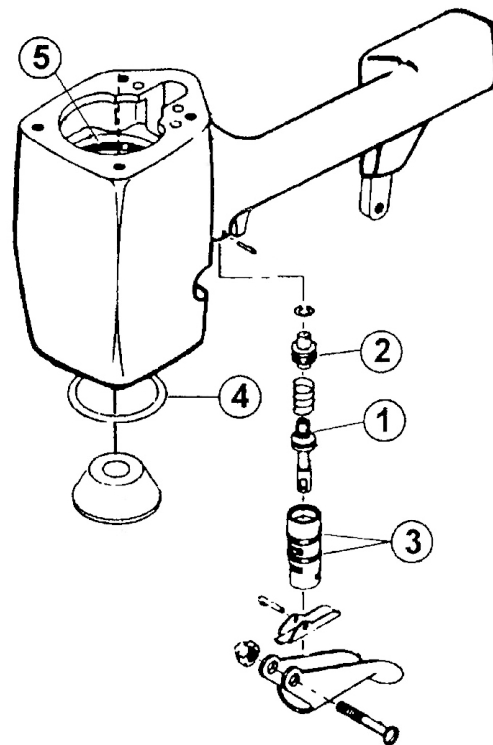
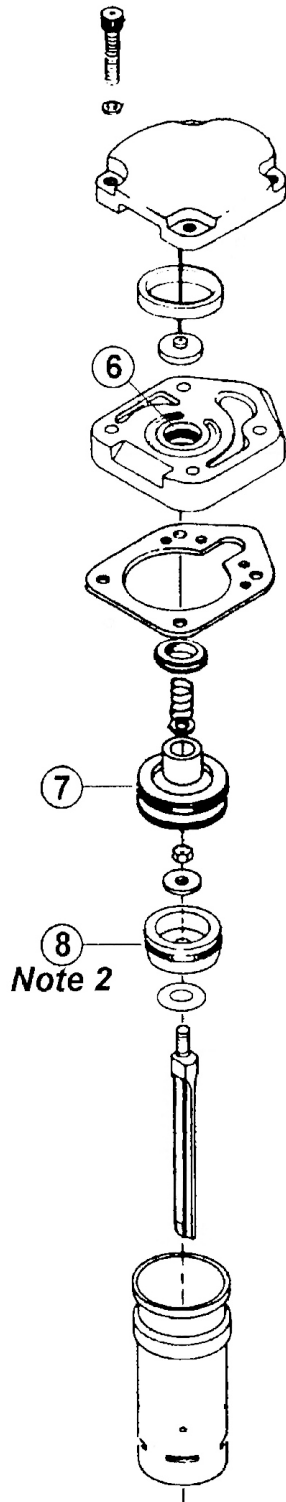
RELIABILITY™

Provin

Contents of O-Ring Kit KT-BO-360

Key Number	Quantity	Performance Provin, Inc.			Equivalent Bostitch® Part Number
		Part Number	Color Code		
1	1	OR-PP-130			89013
2	1	OR-PP-148			85010
3	2	OR-PP-154			86998
4	1	OR-PP-396			850006
5	1	OR-PP-398			850007
6	1	OR-PP-548			850246
7	1	OR-PP-574			86460
8	1	OR-PP-560	Orange	Note 2	850606
	1	OR-PP-570		Note 2	850716
	1	OR-PP-885	Red	Note 2	851266

Note 2: Three different piston designs were used in the T36 tool models. These three pistons used three different O-Ring sizes. All O-Ring sizes (OR-PP-560 Orange, OR-PP-570 and OR-PP-885 Red) are included in this kit. Carefully compare these O-Rings to the piston O-Ring in the tool that is being serviced.



*Generously grease all O-rings at time of assembly

Note: Read and understand the safety information printed on the reverse side before repairing any tools.
 Nota: Lea y comprende la información de seguridad impresa al reverso antes de reparar cualquier herramienta.

6/8/05

Exploded View and O-ring List for
 BOSTITCH T36 Tools

VL-BO-31

CAUTION**CAUTION****CAUTION**

ALWAYS WEAR SAFETY GLASSES WITH SIDE SHIELDS WHEN USING PNEUMATICALLY OPERATED FASTENER DRIVING TOOLS

NEVER POINT THE TOOL AT YOURSELF OR ANYONE ELSE

NEVER BYPASS OR REMOVE ANY SAFETY DEVICE

ALWAYS FOLLOW THE ORIGINAL MANUFACTURE'S SAFETY AND SERVICE INSTRUCTION

NEVER ATTEMPT TO SERVICE OR REPAIR A PNEUMATICALLY OPERATED TOOL WITH THE COMPRESSES AIR LINE CONNECTED TO THE TOOL

NEVER LEAVE A PNEUMATICALLY OPERATED TOOL UNATTENDED WITH THE COMPRESSES AIR LINE CONNECTED

ALWAYS FOLLOW THE ORIGINAL TOOLS MANUFACTURE'S DISASSEMBLY, ASSEMBLY, AND TOOL INSPECTION PROCEDURES

PRECAUTION**PRECAUTION****PRECAUTION**

SIEMPRE USE LENTES DE SEGURIDAD CON PROTECTORES LATERALES AL USAR HERRAMIENTAS DE IMPULSO CON SUJETADOR DE OPERACIÓN NEUMÁTICA

NUNCA APUNTE A SI MISMO O A OTRA PERSONA CON LA HERRAMIENTA

NUNCA EVITE O RETIRE ALGÚN DISPOSITIVO DE SEGURIDAD

SIEMPRE SIGA LAS INSTRUCCIONES DE SEGURIDAD Y SERVICIO DEL FABRICANTE ORIGINAL DE LA HERRAMIENTA

NUNCA INTENTE HACER MANTENIMIENTO O REPARAR UNA HERRAMIENTA DE OPERACIÓN NEUMÁTICA CON LA LINEA DE AIRE COMPRIMIDO CONECTADA A LA HERRAMIENTA

NUNCA DEJE SIN ATENCION UNA HERRAMIENTA DE OPERACIÓN NEUMÁTICA CON LA LINEA DE AIRE COMPRIMIDO CONECTADA

SIEMPRE SIGA LOS PROCEDIMIENTOS DE DESMONTAJE, MONTAJE, E INSPECCIÓN DEL FABRICANTE ORIGINAL DE LA HERRAMIENTA

O-Ring Kit KT-BO-360

For use on the following tool models.
Kit contains all O-Rings in these tools.

BOSTITCH

T36-13
T36-13ST
T36-15
T36-15ST
T36-16
T36-21
T36-21ST
T36-32
T36-32ST
T36-35
T36-35ST
T36-42
T36-50
T36-50ST
T36-51
T36-54
T36-54ST
T36-55
T36-56
T36-56ST
T36-7
T36-7FR
T36-7ST

